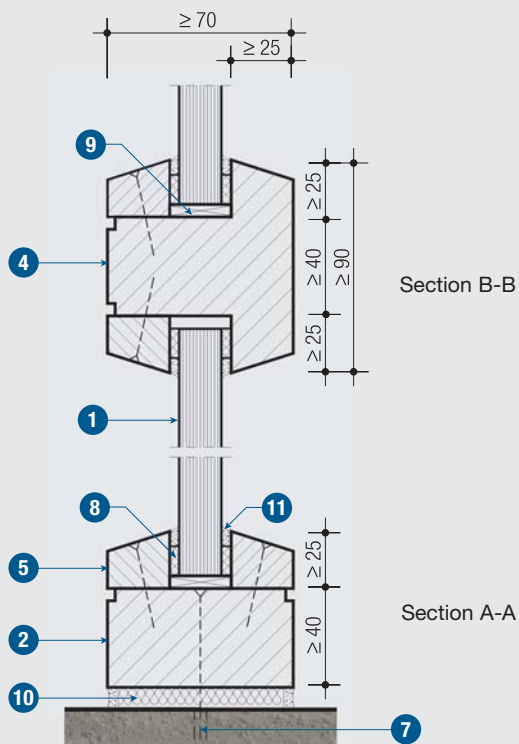


Detail 1 Elevation



Detail 2 Floor connection and transom detail

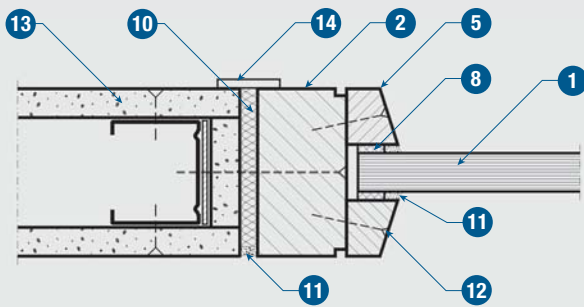
TECHNICAL DATA

1/2 hour fire rating, integrity in accordance with the criteria of BS 476: Part 22 and AS 1530: Part 4.

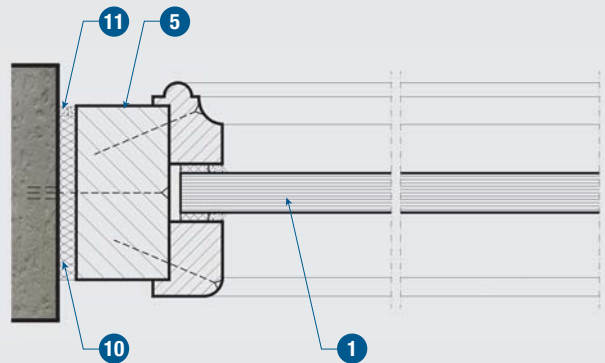
- 1 PROMACLEAR® glass, 6mm thick
- 2 Hardwood timber perimeter framework 70mm x 30mm
- 3 Hardwood timber mullion section 70mm x 40mm
- 4 Hardwood timber transom section 70mm x 90mm
- 5 Hardwood timber glazing beads 25mm x 25mm
- 6 Hardwood timber transom section 70mm x 45mm
- 7 Steel anchor bolts 85mm long x 8mm diameter
- 8 Ceramic wool strip, with AutoStik ceramic adhesive 20mm wide x 2mm thick
- 9 Hardwood setting blocks 4mm thick (required in both horizontal and vertical framing members)
- 10 Mineral fibre seal (optional)
- 11 Autostik adhesive
- 12 Steel wood screws 70mm long x 3mm diameter
- 13 Fire rated dry wall
- 14 Optional covering profiles made of stainless steel, aluminium, wood or plastic profiles

NOTE: Maximum pane size is 4.18m² for 30 minutes fire rated glazed screens.

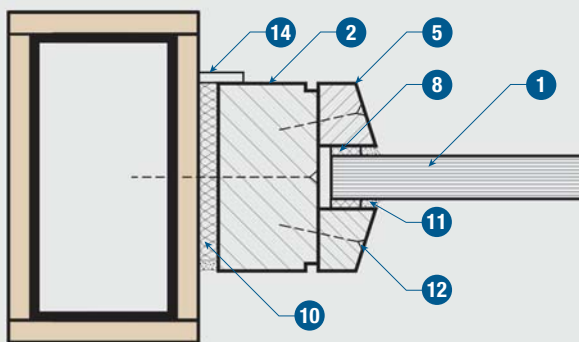
The details above may differ in some territories due to variations in the performance requirements, please check with your local Promat office for details of the maximum glass pane dimensions, maximum door dimensions and the fire resistance periods with local approvals.



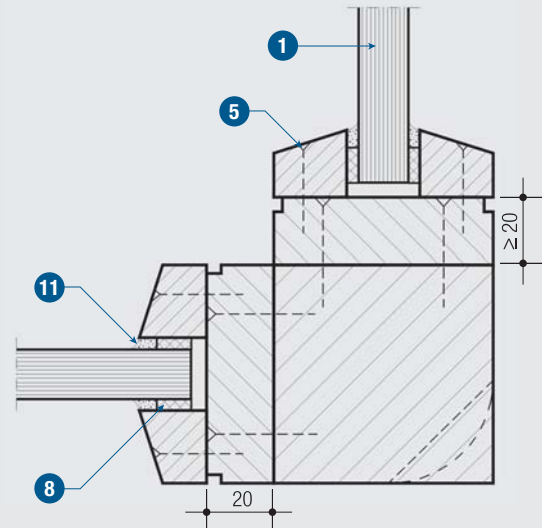
Detail 3 Jamb connection to lightweight partition (Section A-A)



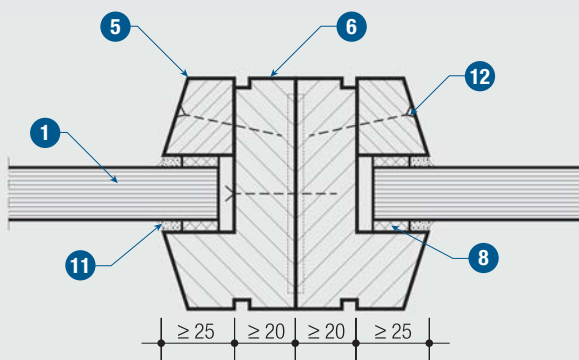
Detail 6 Decorative mouldings



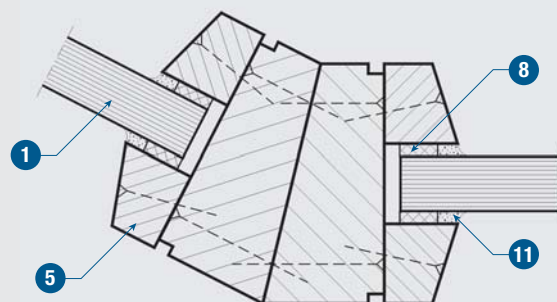
Detail 4 Connection to structural steel support



Detail 7 Corner detail 90°



Detail 5 Mullion detail (Section C-C)



Detail 8 Corner detail >90° to <180°