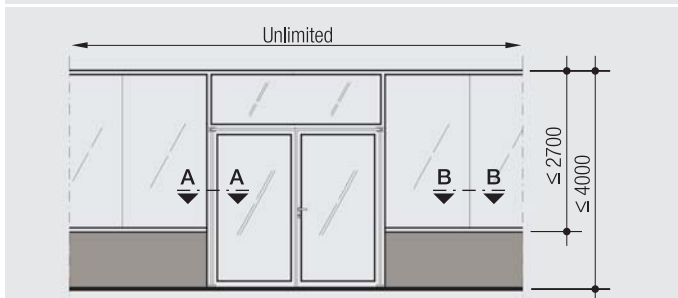
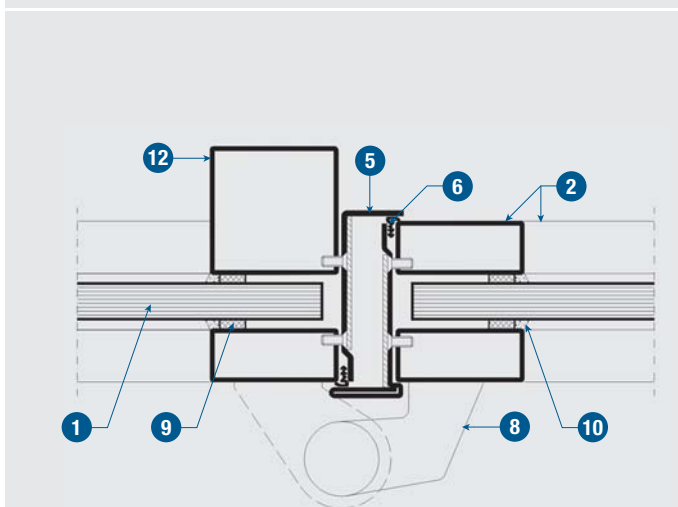


**Detail 1** Elevation (Within SYSTEMGLAS® screen)



**Detail 2** Elevation (Within partly glazed masonry wall)



**Detail 3** Door leaf and frame detail (Section A-A)

SYSTEMGLAS® Doors are constructed without any visible glazing beads on the retaining frame. It can be built as single or double-leaf door in a SYSTEMGLAS® screen or solid wall element. A choice of floor or head mounted closers can be proposed as well as their selected hardware.

### TECHNICAL DATA

**1/2 hour and 1 hour fire rating, integrity and insulation in accordance with the criteria of BS 476: Part 22 and AS 1530: Part 4.**

**1 30 minutes fire rating:**  
SYSTEMGLAS® F30, 17mm thick

**60 minutes fire rating:**  
SYSTEMGLAS® F60, 21mm thick

**2 SYSTEMGLAS® door with steel hollow section 60mm x 25mm x 2mm single or double-leaf door for 30 and 60 minutes fire rating**

Clear opening size:

Door type	Height	Width	Fire rating
Single-leaf Single action	2250mm	1520mm	30 or 60 minutes
Double-leaf Single action	2312mm	2370mm	30 minutes
Double-leaf Single action	2200mm	2370mm	60 minutes

**3 SYSTEMGLAS® screen in accordance with the details on PDF of SYSTEMGLAS® Screens**

**4 Optional Door mid rail**

**5 Rebate profile, fixed with self-tapping screw or rivet, optionally welded**

**6 Rubber anti-shock seal or smoke seal**

**7 Floor or ceiling with fire resistance equal to or better than glazing system**

**8 Dorma 7431K or similar approved hinge and/or floor spring systems**

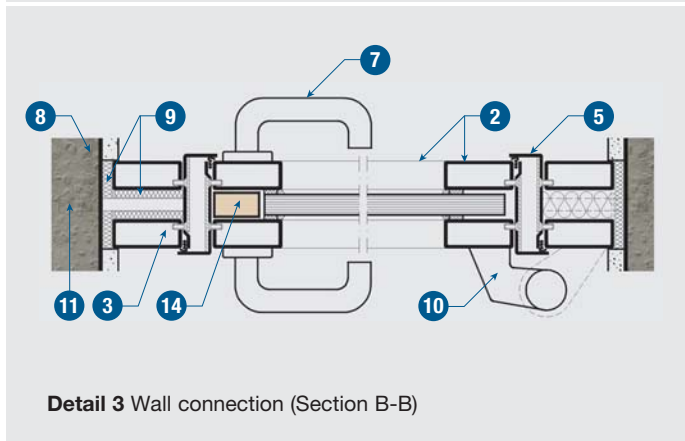
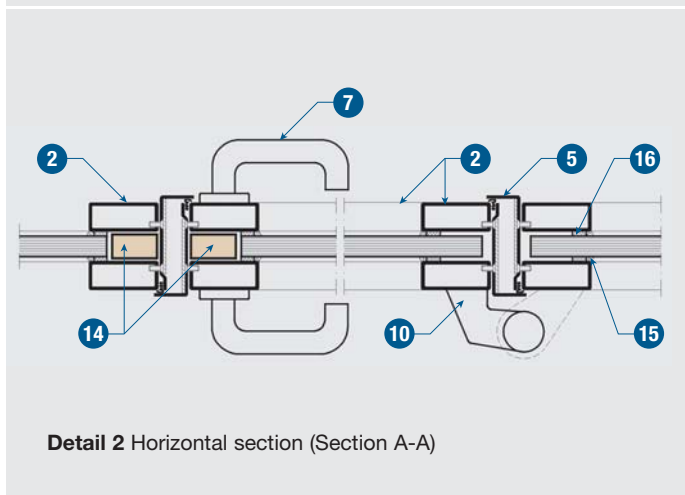
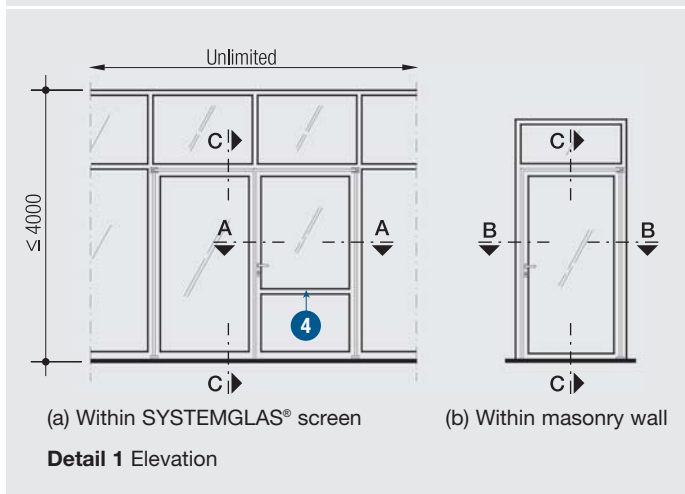
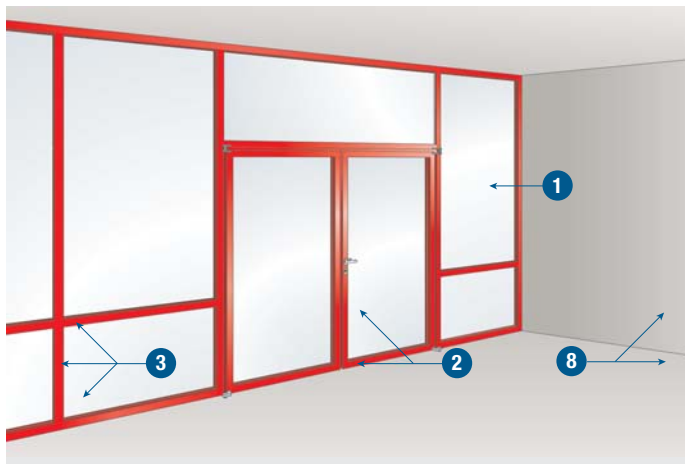
**9 Self adhesive glazing tape 10mm x 3mm**

**10 PROMASEAL® translucent silicone sealant**

**11 Optional covering profiles made of stainless steel, aluminium, wood or plastic profile**

**12 Steel hollow section for screen heights over 3000mm, it may be necessary to use a larger profile on the near face of the door frame to provide additional stiffness**

NOTE: The details above may differ in some territories due to variations in the performance requirements, please check with your local Promat office for details of the maximum glass pane dimensions, maximum door dimensions and the fire resistance periods with local approvals.



### TECHNICAL DATA

1/2 hour and 1 hour fire rating, integrity and insulation in accordance with the criteria of BS 476: Part 22 and AS 1530: Part 4.

- 1 **30 minutes fire rating:**  
SYSTEMGLAS® F30, 17mm thick
- 60 minutes fire rating:**  
SYSTEMGLAS® F60, 21mm thick

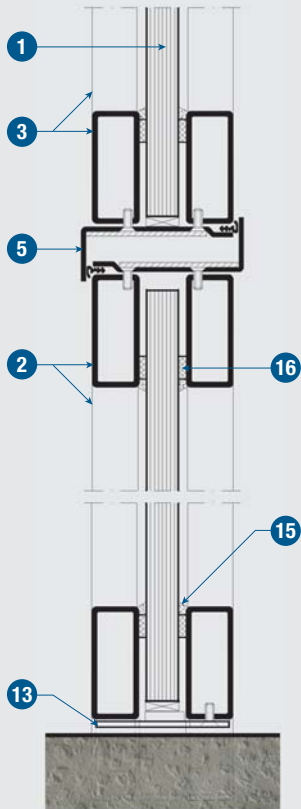
- 2 SYSTEMGLAS® door with steel hollow section 60mm x 25mm x 2mm single or double-leaf door for 30 and 60 minutes fire rating

Clear opening size:

Door type	Height	Width	Fire rating
Single-leaf Single action	2250mm	1520mm	30 or 60 minutes
Double-leaf Single action	2312mm	2370mm	30 minutes
Double-leaf Single action	2200mm	2370mm	60 minutes

- 3 SYSTEMGLAS® screen in accordance with the details on PDF of SYSTEMGLAS® Screens
- 4 Door mid rail
- 5 Rebate profile, fixed with self-tapping screw or rivet, optionally welded
- 6 APTK rubber anti-shock seal or smoke seal
- 7 Door handle
- 8 Floor or ceiling with fire resistance equal to or better than glazing system
- 9 Rock wool 15mm thick, compressed
- 10 Dorma 7431K or similar approved hinge and floor spring systems
- 11 Masonry fixing, expansion bolt or similar at nominal 500mm centres
- 12 PROMASEAL® PL strip
- 13 Steel plate
- 14 PROMATECT®-H strip minimum 27mm wide x 20mm thick
- 15 PROMASEAL® translucent silicone sealant
- 16 Self adhesive glazing tape 10mm x 3mm

NOTE: The details above may differ in some territories due to variations in the performance requirements, please check with your local Promat office for details of the maximum glass pane dimensions, maximum door dimensions and the fire resistance periods with local approvals.



**Detail 4** Vertical section (Section C-C)

**Detail 1** Elevation

The length of the glazed wall can be unlimited, the maximum height is currently restricted to 4000mm. The door can be manufactured with or without a mid rail.

**Detail 2** Horizontal section (Section A-A)

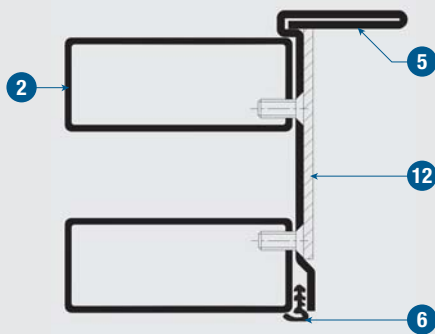
The door hardware, handles, hinges etc., can be sourced from various manufacturers, but must have certification to prove the suitability for use in Systemglas or similar applications.

**Detail 3** Wall connection (Section C-C)

The glass can be mounted on the steel frame that is fixed with the door hinges to the surrounding door frame. The glass can also be easily demounted by removing the screws fixing the rebate profile to those sections forming the jamb.

**Detail 4** Vertical section (Section B-B)

The steel profile forming the door stops is fixed by either screws or welding to the profiles forming the jambs and head of the door framing. This profile can be folded or cold rolled as shown in Detail 3 It can be ordered from Promat together with the rubber door seals **6**.



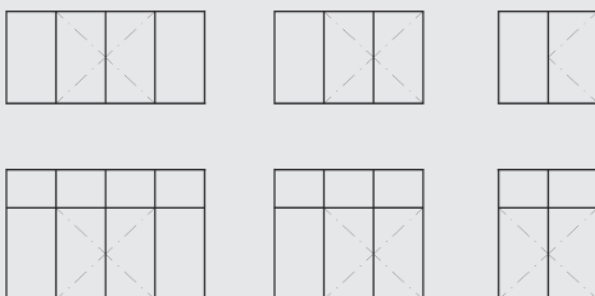
**Detail 5** Stop profile

**Detail 5** Stop profile

The door frame is made of two steel frames to which a rebate profile **5** is screwed. The door frame can be connected to a solid wall element or to a SYSTEMGLAS® screen ([PDF of SYSTEMGLAS® Screens](#)) or a dry wall system or masonry construction.

**Detail 6** Possible glazing layouts

Fire resisting glazed elements can be constructed in a variety of ways. A combination of single or double-leaf doors, sidelights, fanlights, etc. is offered to the specifier to obtain the desired visual effect.



**Detail 6** Possible glazing layouts